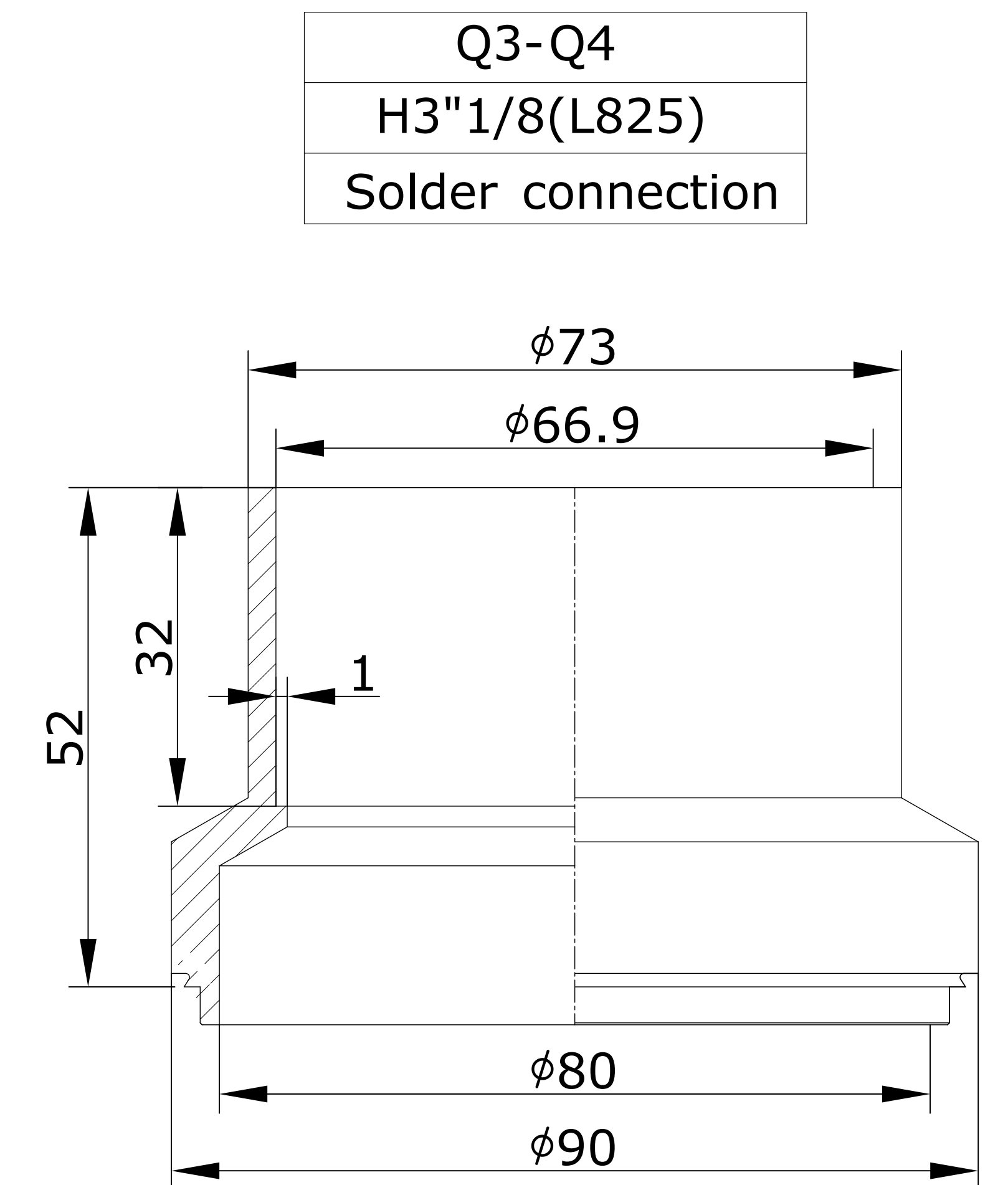
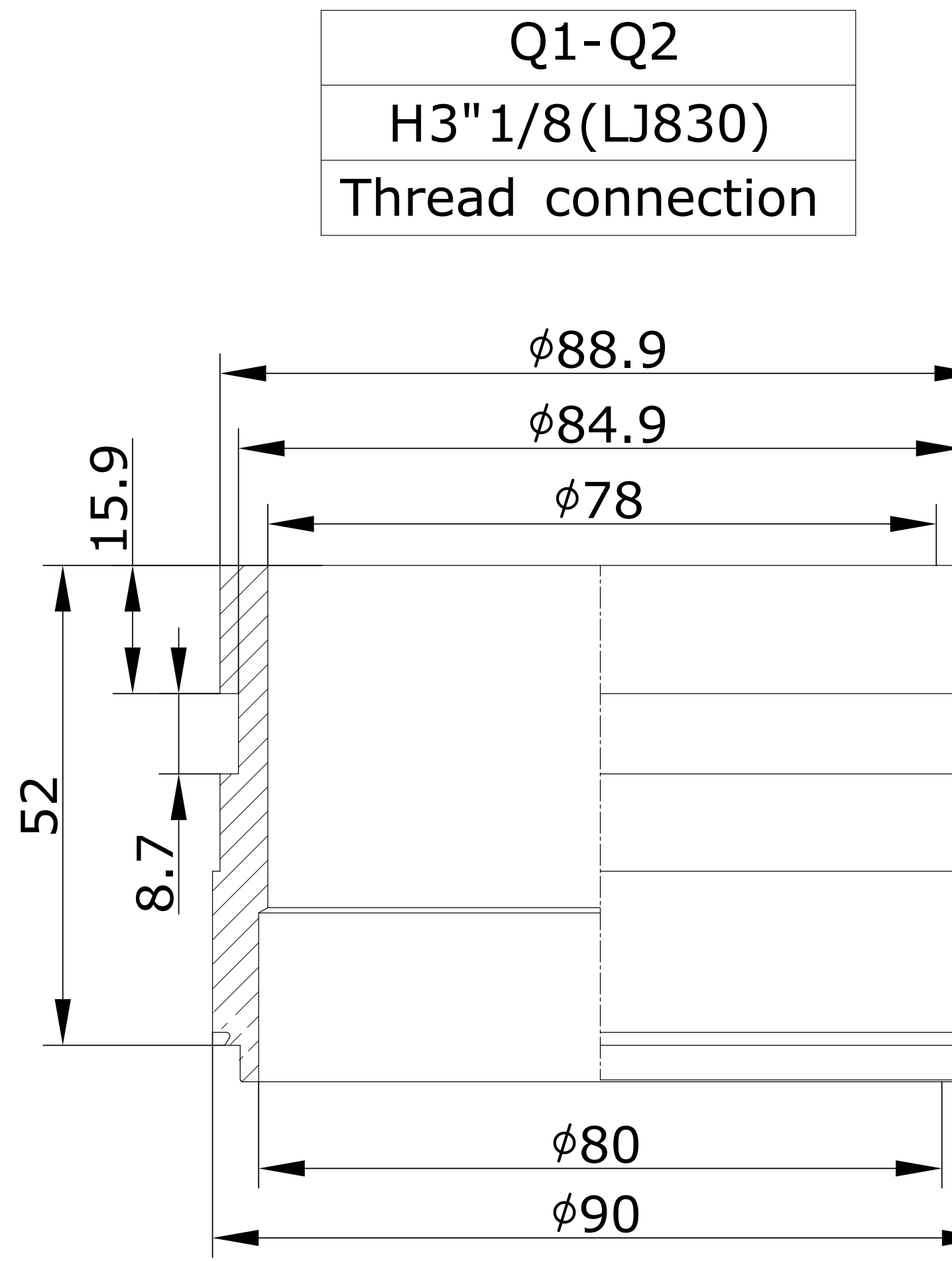
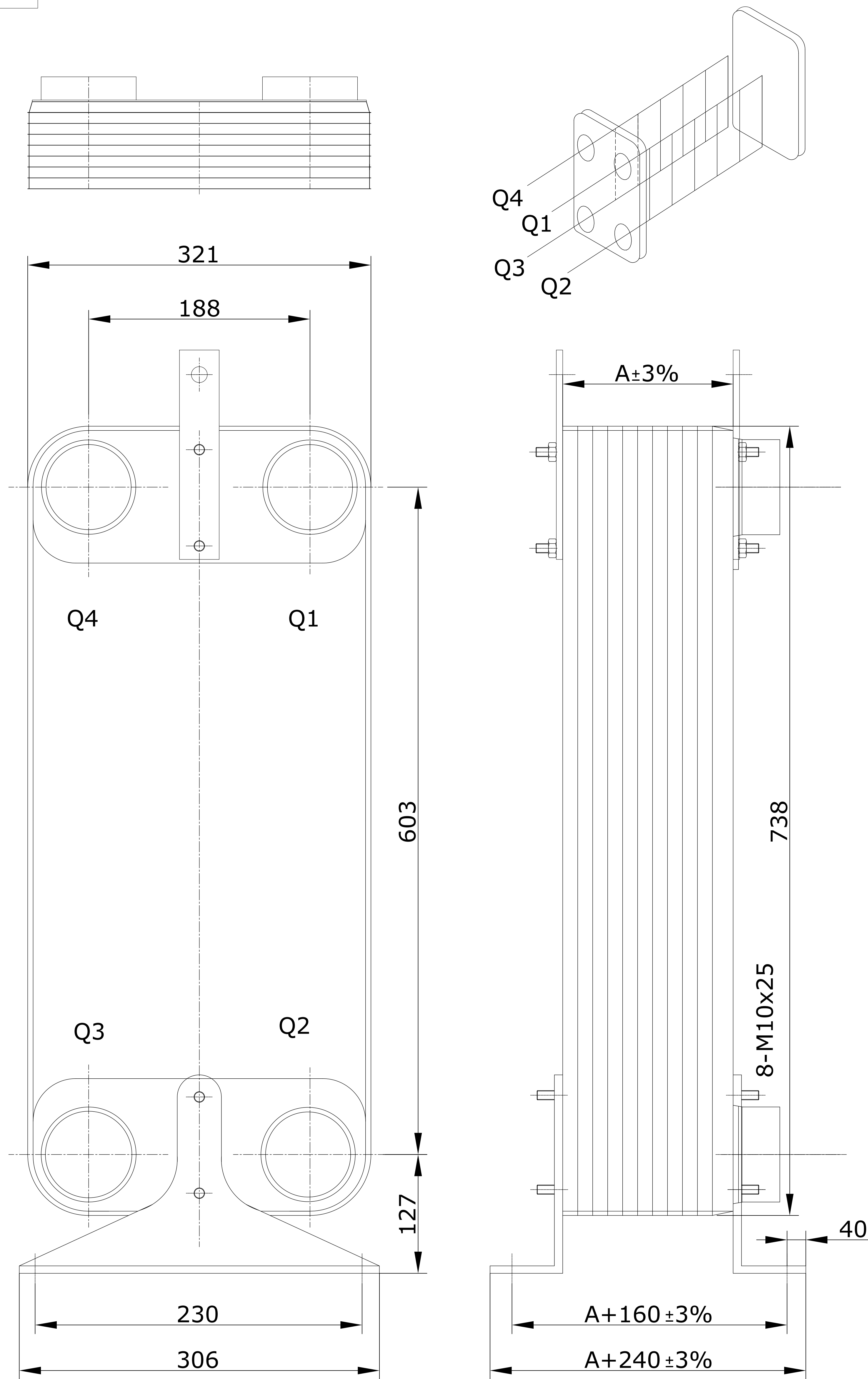

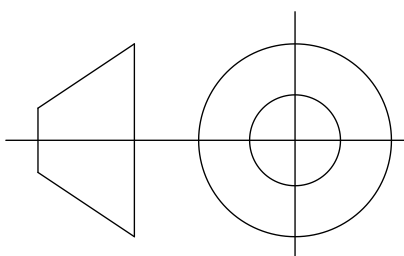


CONTROLLED



ID	RIDAN Code	Drawing No.	Model	Plates(n)	A	Weight	Volumn
1	111B0425R	23020362-01	200	150	425	122Kg	Q1Q2:40.50L/Q3Q4:39.96L
2	111B0426R	23020362-02	200	160	452	129Kg	Q1Q2:43.20L/Q3Q4:42.66L
3	111B0427R	23020362-03	200	170	480	136Kg	Q1Q2:45.90L/Q3Q4:45.36L
4	111B0428R	23020362-04	200	180	507	143Kg	Q1Q2:48.60L/Q3Q4:48.06L
5	111B0429R	23020362-05	200	190	535	150Kg	Q1Q2:51.30L/Q3Q4:50.76L
6	111B0430R	23020362-06	200	200	562	157Kg	Q1Q2:54.00L/Q3Q4:53.46L
7	111B0431R	23020362-07	200	210	590	164Kg	Q1Q2:56.70L/Q3Q4:56.16L
8	111B0432R	23020362-08	200	220	617	171Kg	Q1Q2:59.00L/Q3Q4:58.86L

DESIGN DATA	
DESIGN PRESSURE	3.0MPa
TEST PRESSURE	4.5MPa
DESIGN TEMPERATURE	-196/+225
LEAKAGE TEST	Helium Test
PLATE MATERIAL	316L
PIPE MATERIAL	304
FRAME MATERIAL	304

Assembly drawing	DEPARTMENT	Sales Department	DATE	SCALE	 DESIGNATION: RD-200-n-3,0-L-Q1Q2(H3"1/8)/Q3Q4(H3"1/8)/8- M10*25	
	DESIGNER	JLN	2024/10/17			
	INSPECTOR	ZJF				
	APPROVAL			DRAWING NO.		23020362