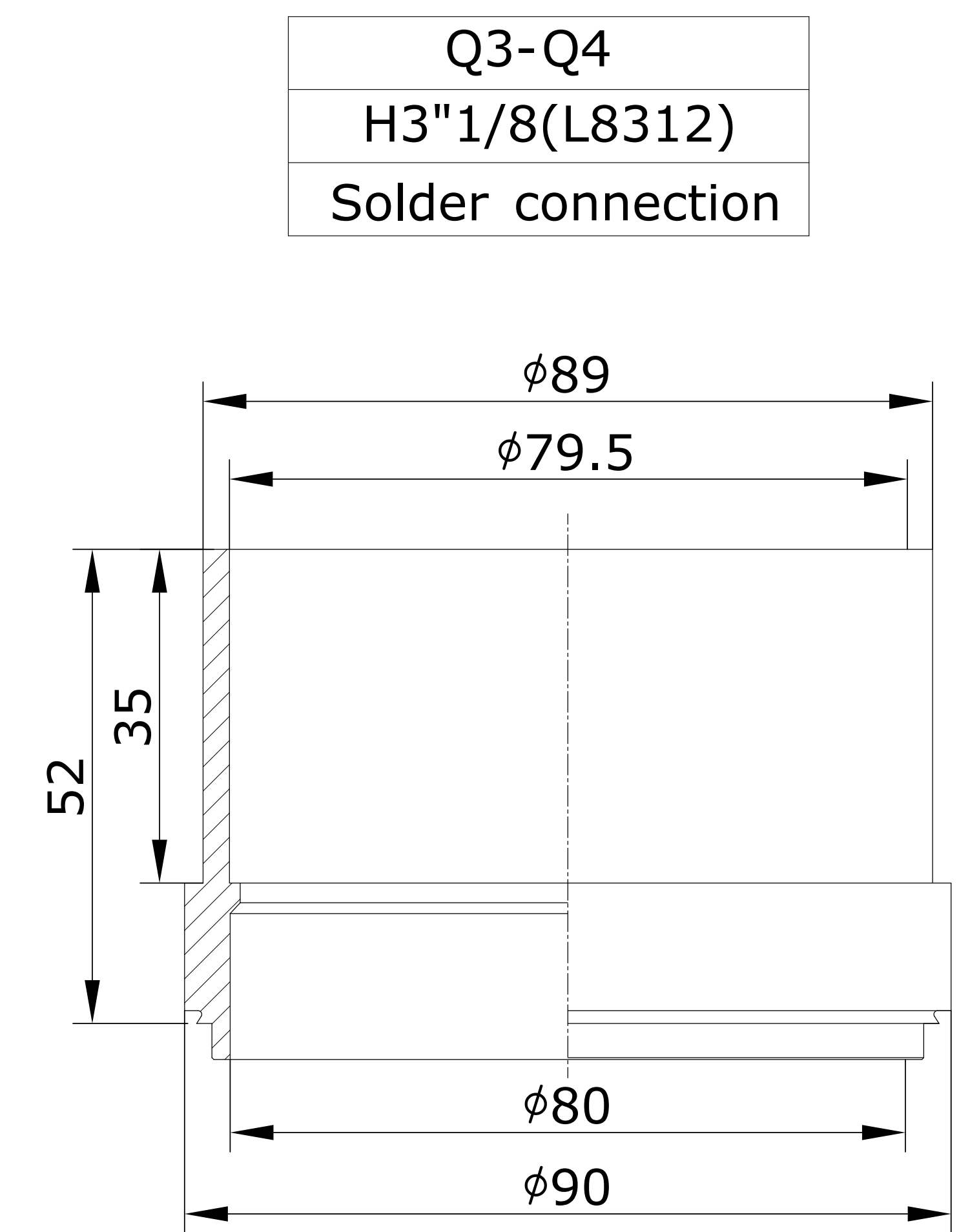
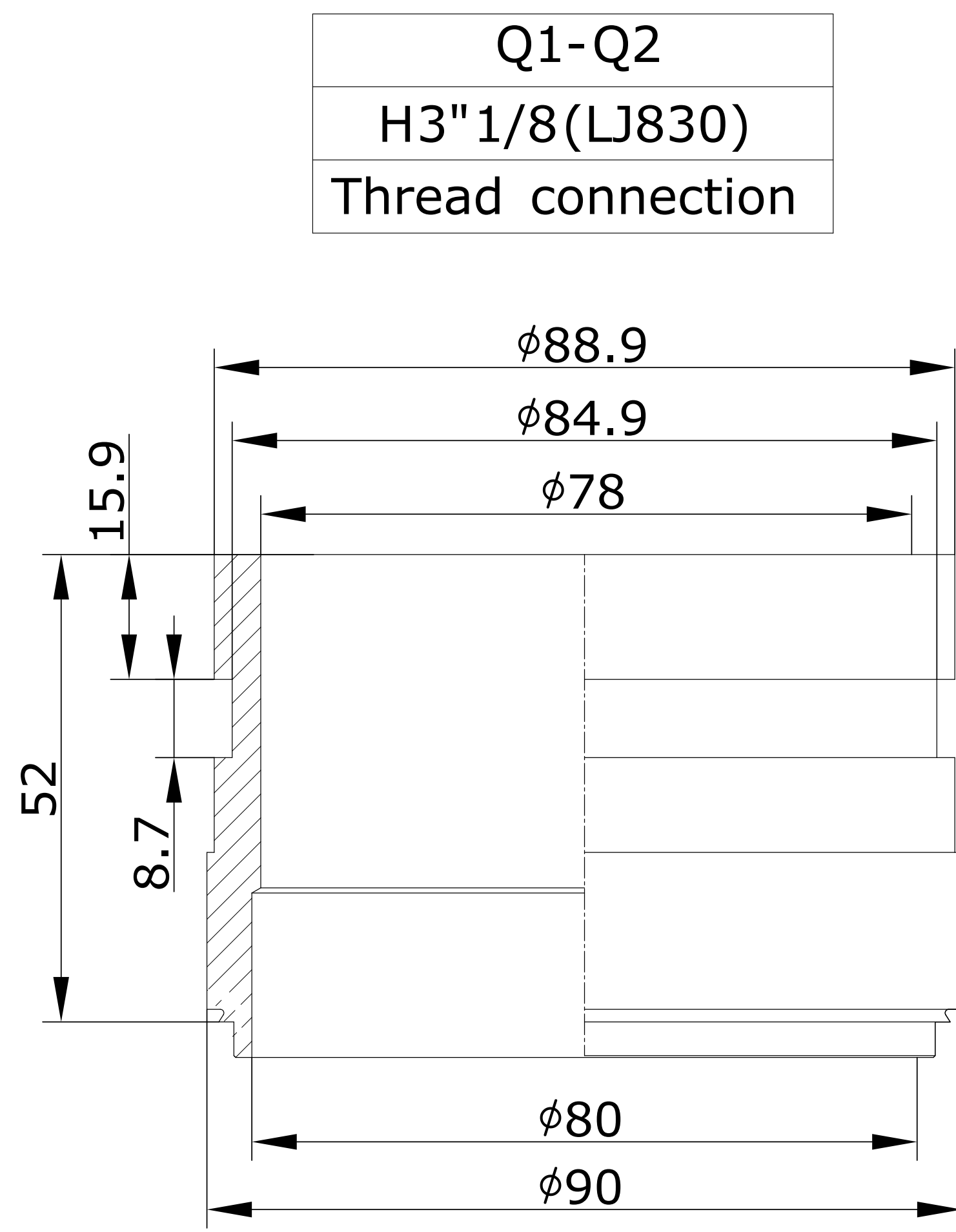
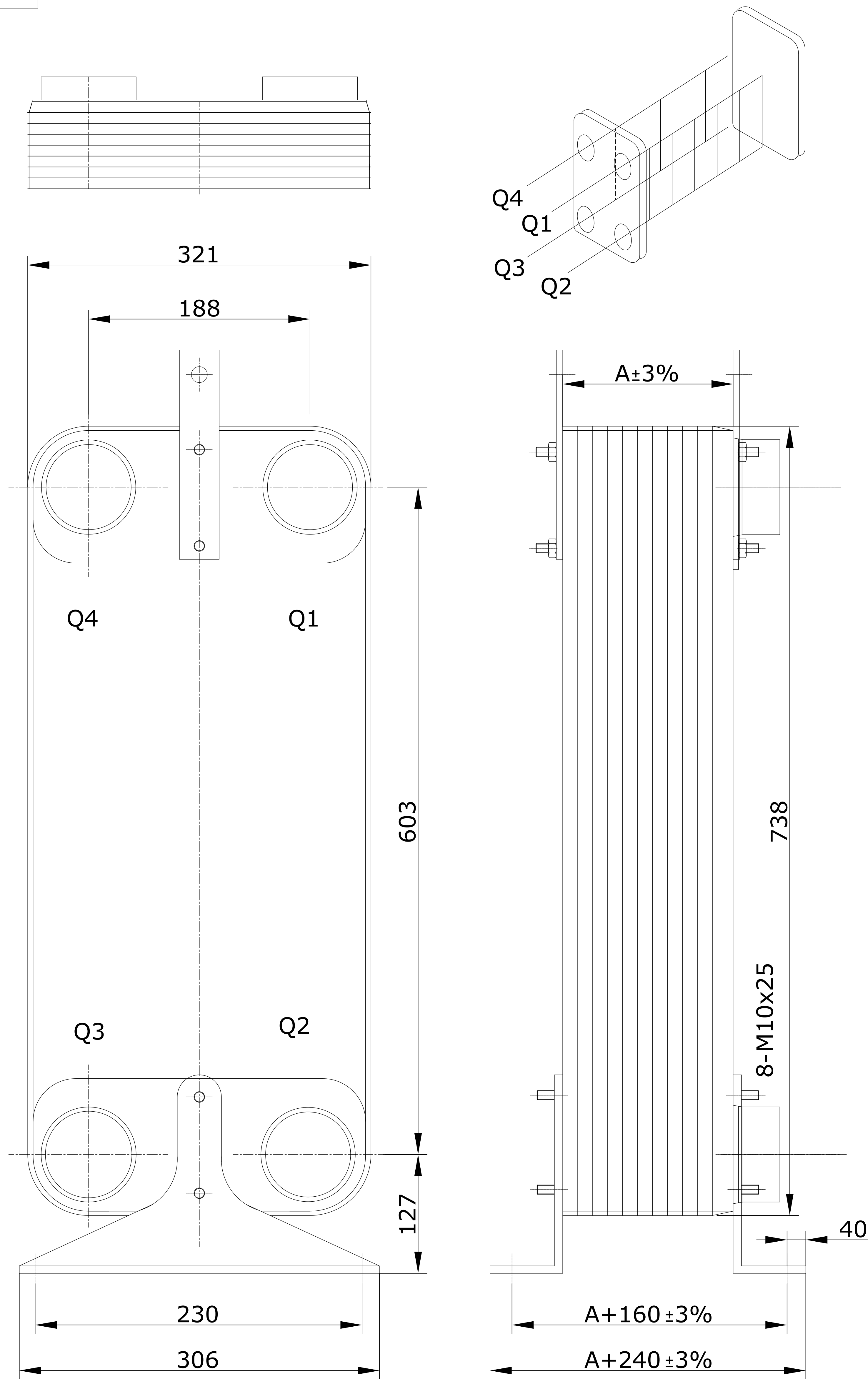


CONTROLLED



ID	RIDAN Code	Drawing No.	Model	Plates(n)	A	Weight	Volumn
1	111B0415R	23020359-01	200	50	150	52Kg	Q1Q2:13.50L/Q3Q4:12.96L
2	111B0416R	23020359-02	200	60	177	59Kg	Q1Q2:16.20L/Q3Q4:15.66L
3	111B0417R	23020359-03	200	70	205	66Kg	Q1Q2:18.90L/Q3Q4:18.36L
4	111B0418R	23020359-04	200	80	232	73Kg	Q1Q2:21.60L/Q3Q4:21.06L
5	111B0419R	23020359-05	200	90	260	80Kg	Q1Q2:24.30L/Q3Q4:23.76L
6	111B0420R	23020359-06	200	100	287	87Kg	Q1Q2:27.00L/Q3Q4:26.46L
7	111B0421R	23020359-07	200	110	315	94Kg	Q1Q2:29.70L/Q3Q4:29.16L
8	111B0422R	23020359-08	200	120	342	101Kg	Q1Q2:32.40L/Q3Q4:31.86L
9	111B0423R	23020359-09	200	130	370	108Kg	Q1Q2:35.10L/Q3Q4:34.56L
10	111B0424R	23020359-10	200	140	397	115Kg	Q1Q2:37.80L/Q3Q4:37.26L

		DESIGN DATA				
DESIGN PRESSURE		3.0MPa				
TEST PRESSURE		4.5MPa				
DESIGN TEMPERATURE		-196/+225				
LEAKAGE TEST		Helium Test				
PLATE MATERIAL		316L				
PIPE MATERIAL		304				
FRAME MATERIAL		304				
Assembly drawing	DEPARTMENT	Sales Department	DATE	SCALE	 <b>ридан®</b> DESIGNATION: RD-200-n-3,0-L-Q1Q2(H3"1/8)/Q3Q4(H3"1/8)/8- M10*25	
	DESIGNER	JLN	2024/10/17			
	INSPECTOR	ZJF				
	APPROVAL			DRAWING NO.		23020359