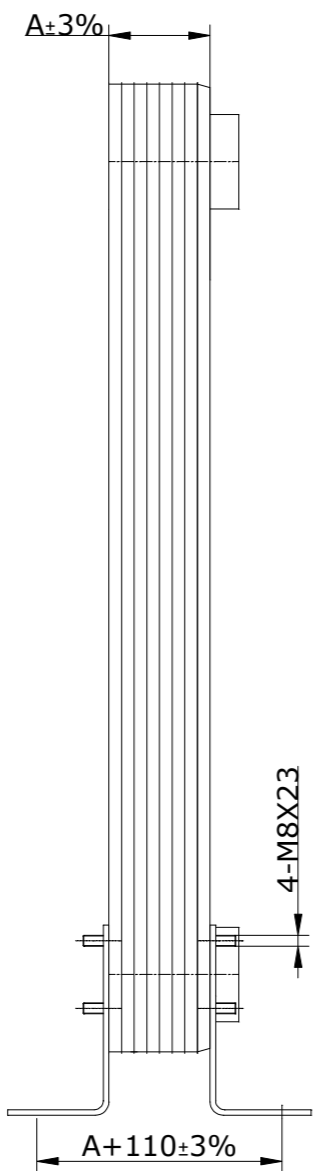
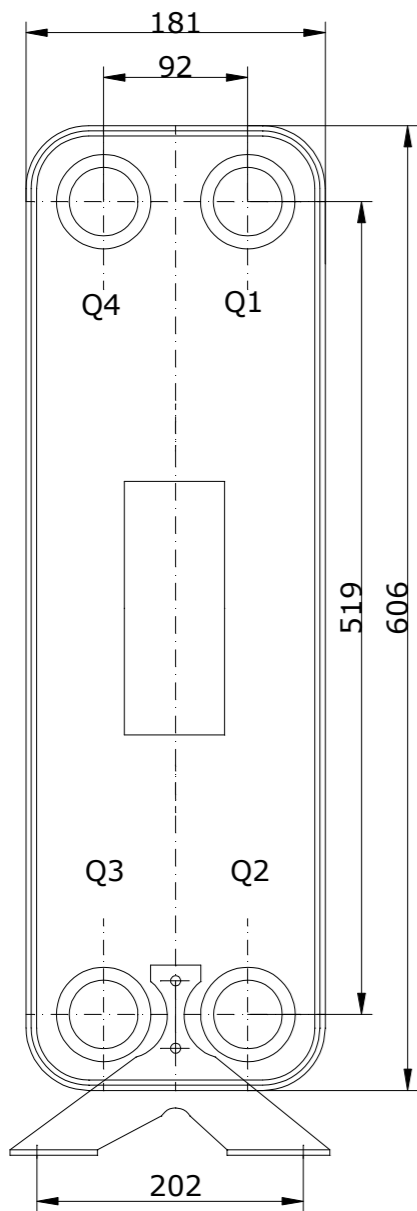
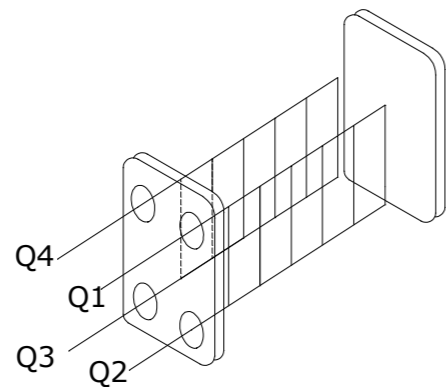
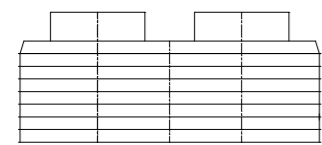
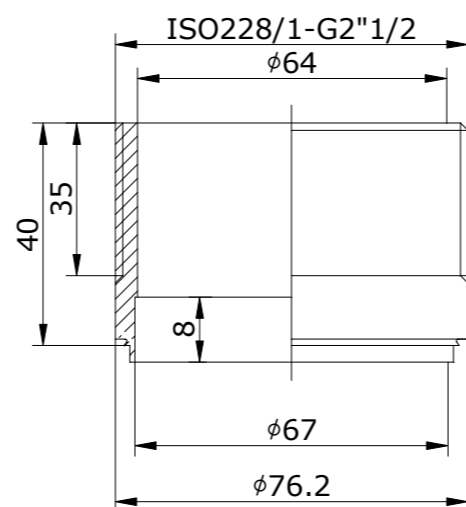


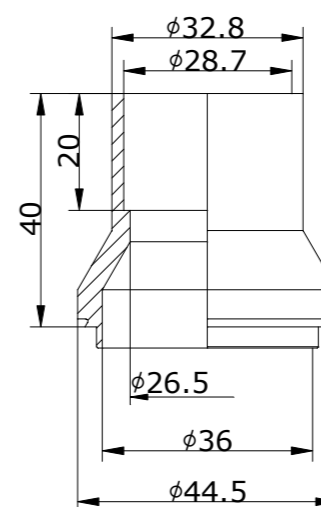
CONTROLLED



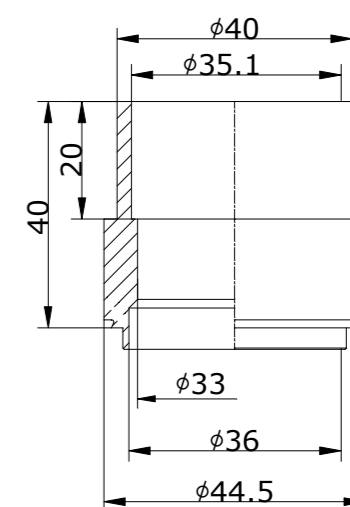
Q1-Q2
L2" (W724)
Thread connection



Q3
H1"1/8(H4114)
Solder connection



Q4
H2"1/8(H4138)
Solder connection



ID	RIDAN Code	Drawing No.	Model	Plates(n)	A	Weight	Volume
1	111B0394R	23021094	095X	110	322	45.22Kg	Q1Q2:13.75L/Q3Q4:13.5L

DESIGN DATA	
DESIGN PRESSURE	3.0MPa
TEST PRESSURE	4.5MPa
DESIGN TEMPERATURE	-196/+225
LEAKAGE TEST	Helium Test
PLATE MATERIAL	316L
PIPE MATERIAL	304
FRAME MATERIAL	304

Assembly drawing	DEPARTMENT	Sales Department	DATE	2024/11/25	SCALE		
	DESIGNER	SVK	INSPECTOR	MSD			
	APPROVAL	PVL	DRAWING NO.	23021094	REV. 0		
	DESIGNATION:		RD-095-110-3,0-H-Q1Q2(L2")/Q3(H1"1/8)/Q4(H2"1/8)/4-M8x23				