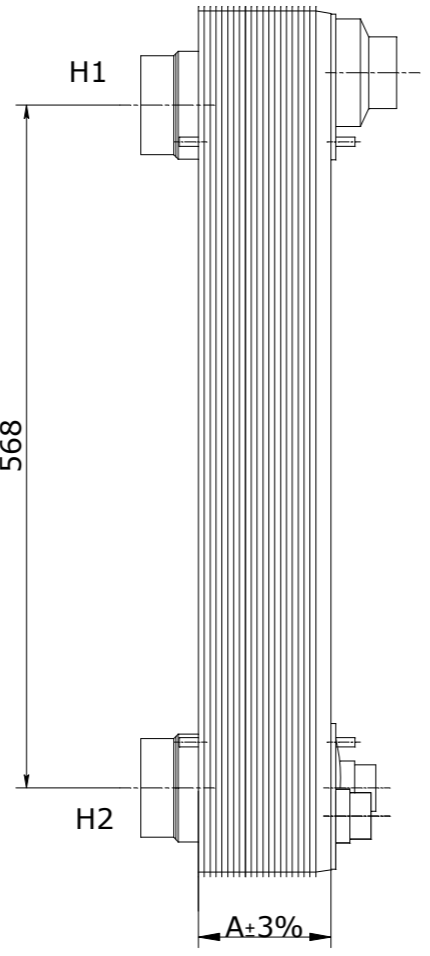
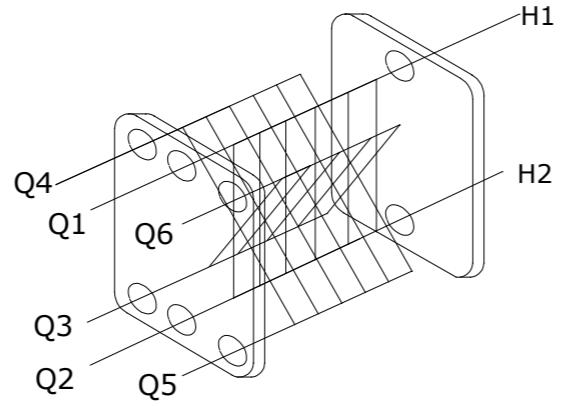
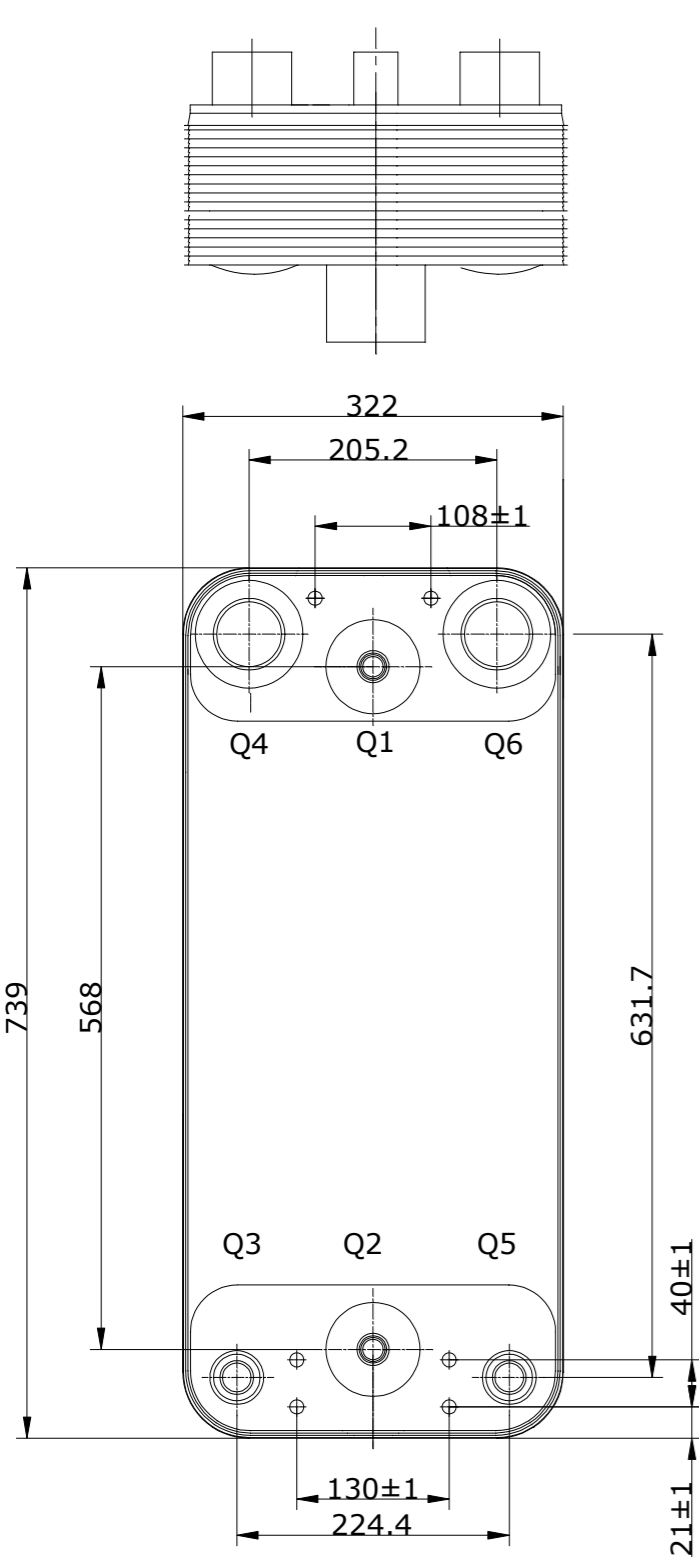
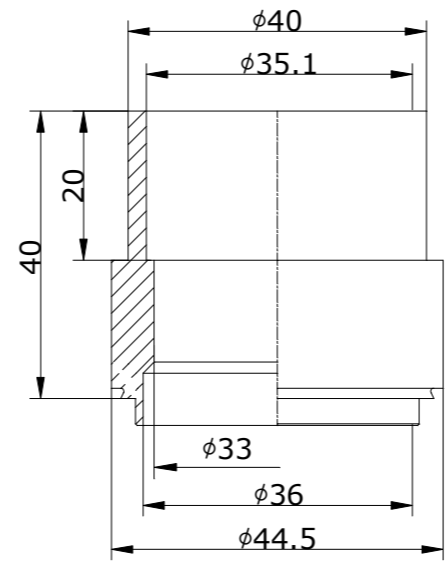


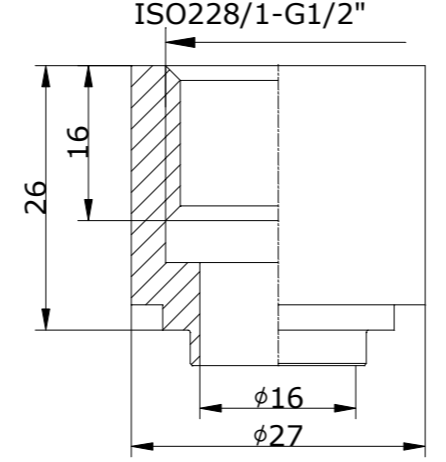
CONTROLLED



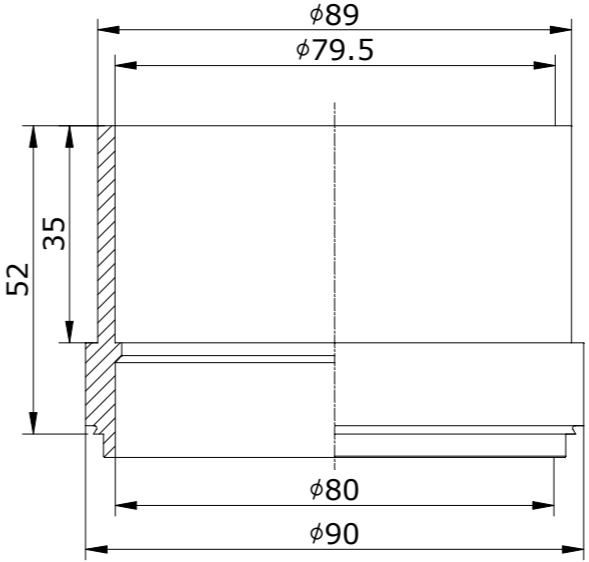
Q3-Q5
H1"3/8(H4138)
Solder connection



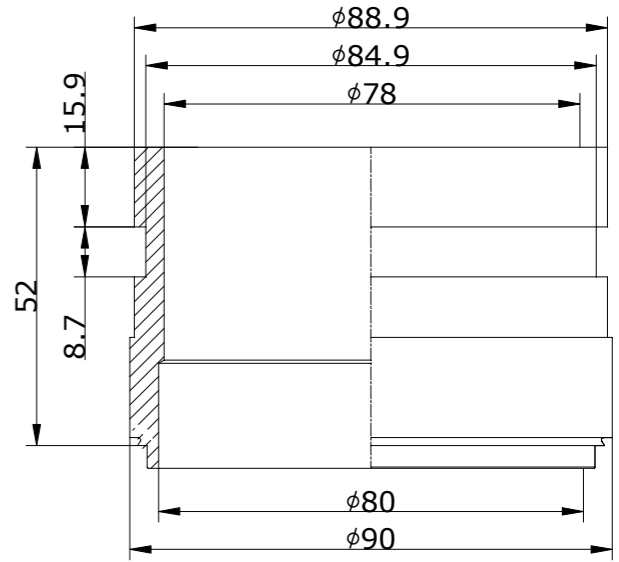
Q1-Q2
N1/2"(N104)
Thread connection



Q4-Q6
H3"1/8(L8312)
Solder connection


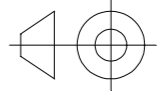


H1-H2
T88,9(LJ830)
Victaulic connectoin



Note: 12-M10X25 bolts

ID	RIDAN Code	Drawing No.	Model	Plates(n)	A	Weight	Volume
1	111B0327R	23018067	210	250	661	200.73Kg	Q3Q5Q4Q6:31L/Q1Q2H1H2:62.5L

		DESIGN DATA			
DESIGN PRESSURE		4.5MPa			
TEST PRESSURE		6.75MPa			
DESIGN TEMPERATURE		-196/+225			
LEAKAGE TEST		Helium Test			
PLATE MATERIAL		316L			
PIPE MATERIAL		304			
FRAME MATERIAL		304			
Assembly drawing	DEPARTMENT	Sales Department	DATE	SCALE	 RD-210-250-4,5-HDQ-Q1Q2(N1/2")/Q3Q5(H1"3/8)/Q4Q6(H3"1/8)/H1H2(T88,9)/12-M10x25 DESIGNATION:
	DESIGNER	JLN	2024/08/28		
	INSPECTOR	ZJF			
	APPROVAL	FL			
DRAWING NO.		23018067		REV. 3	