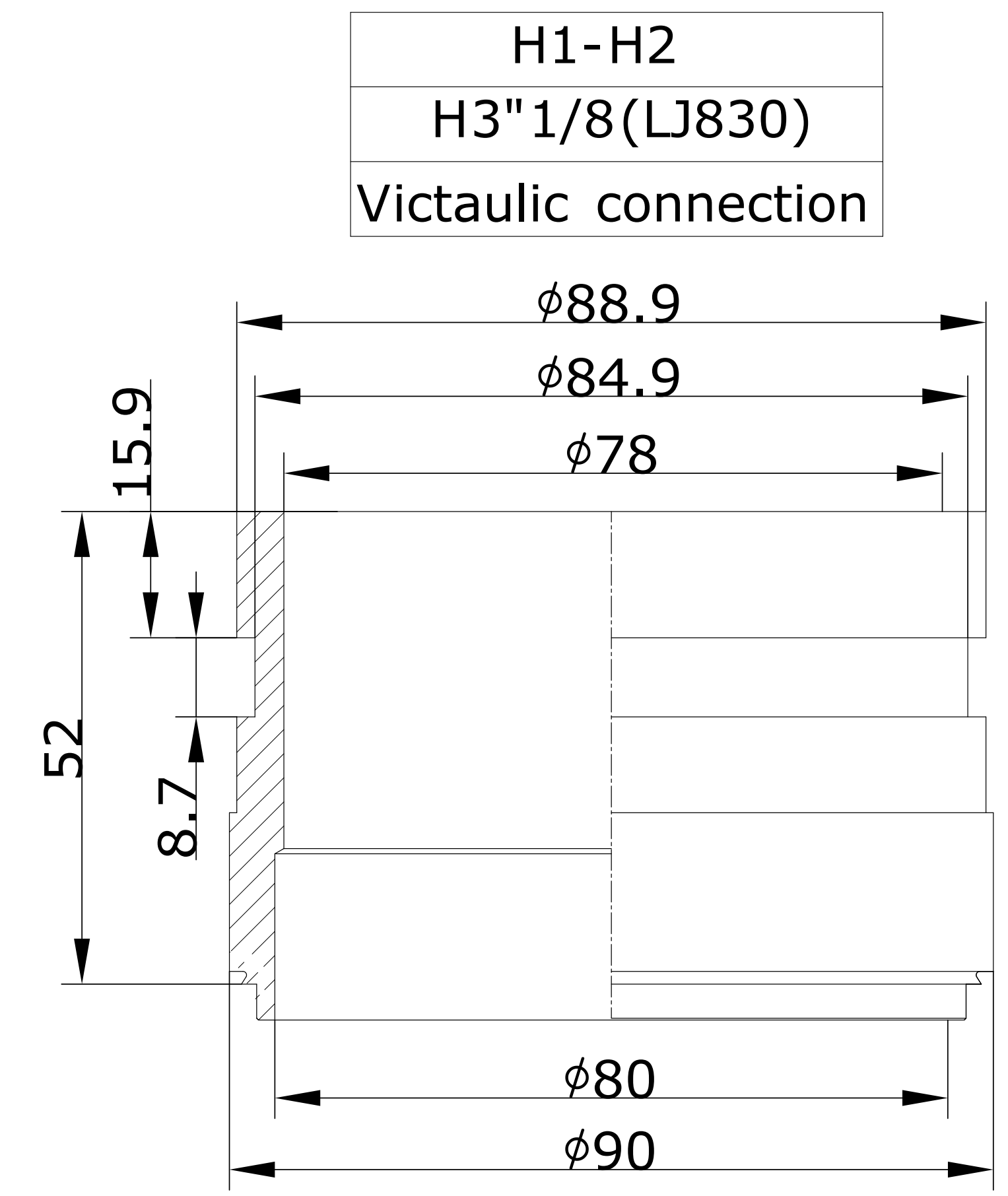
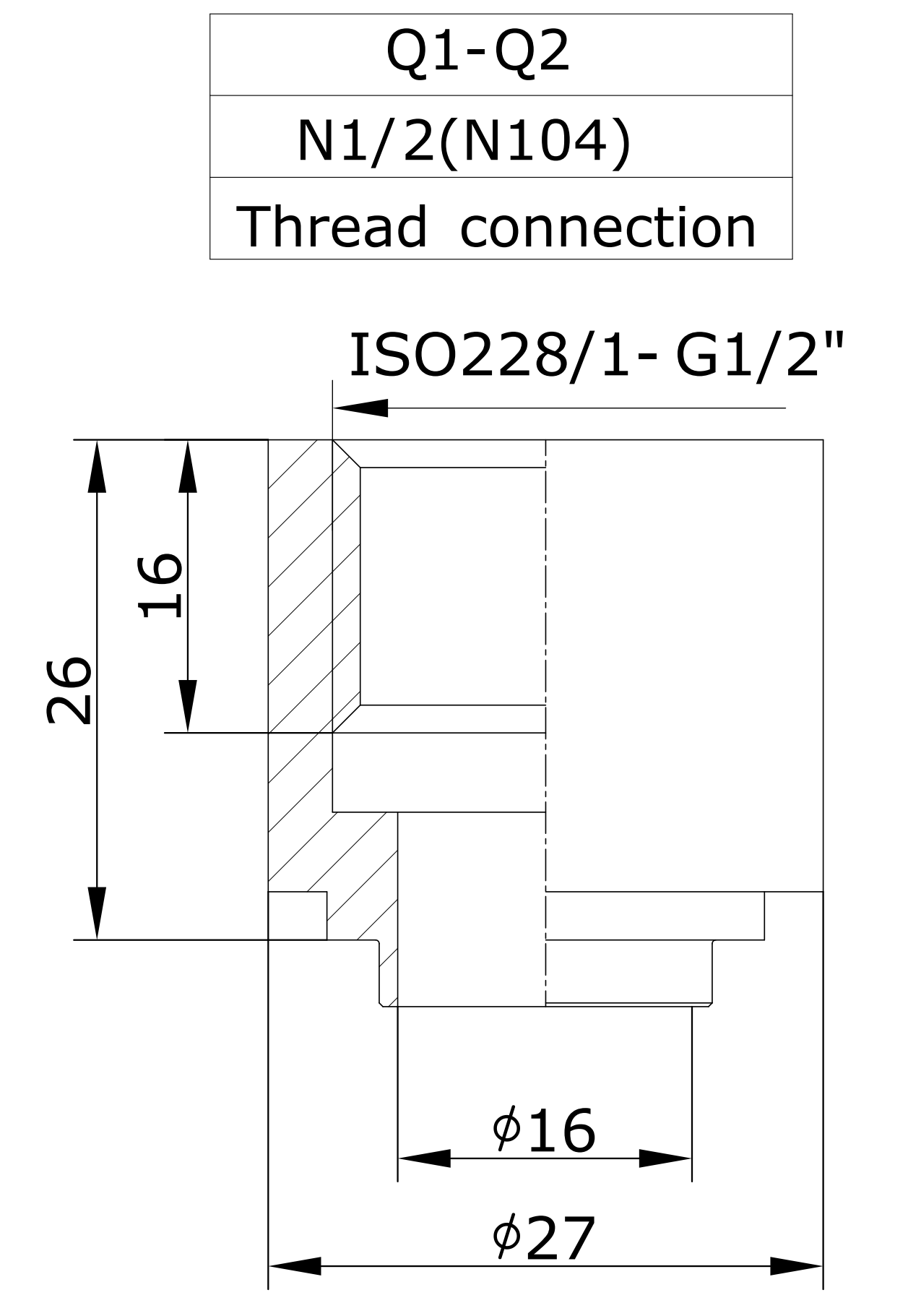
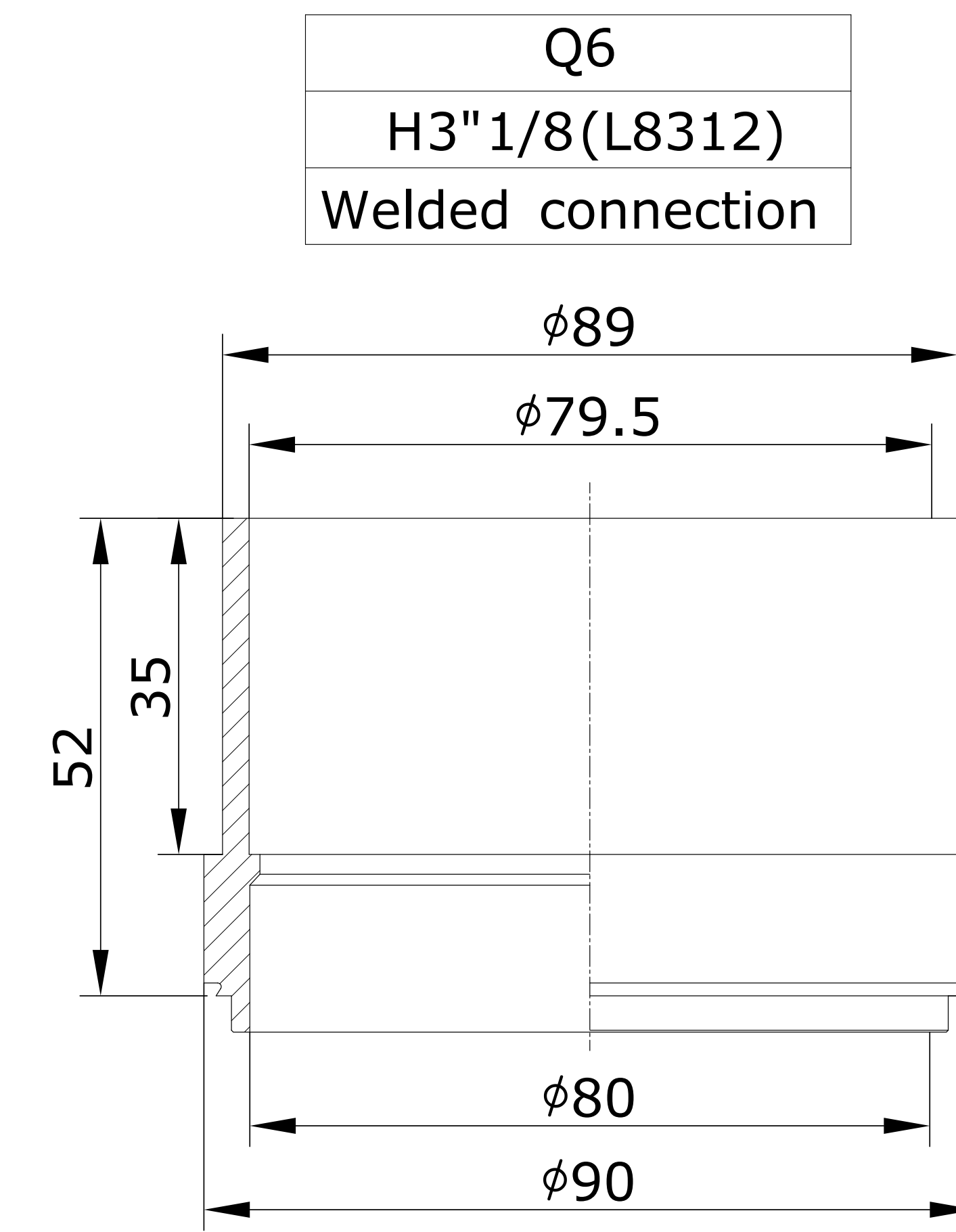
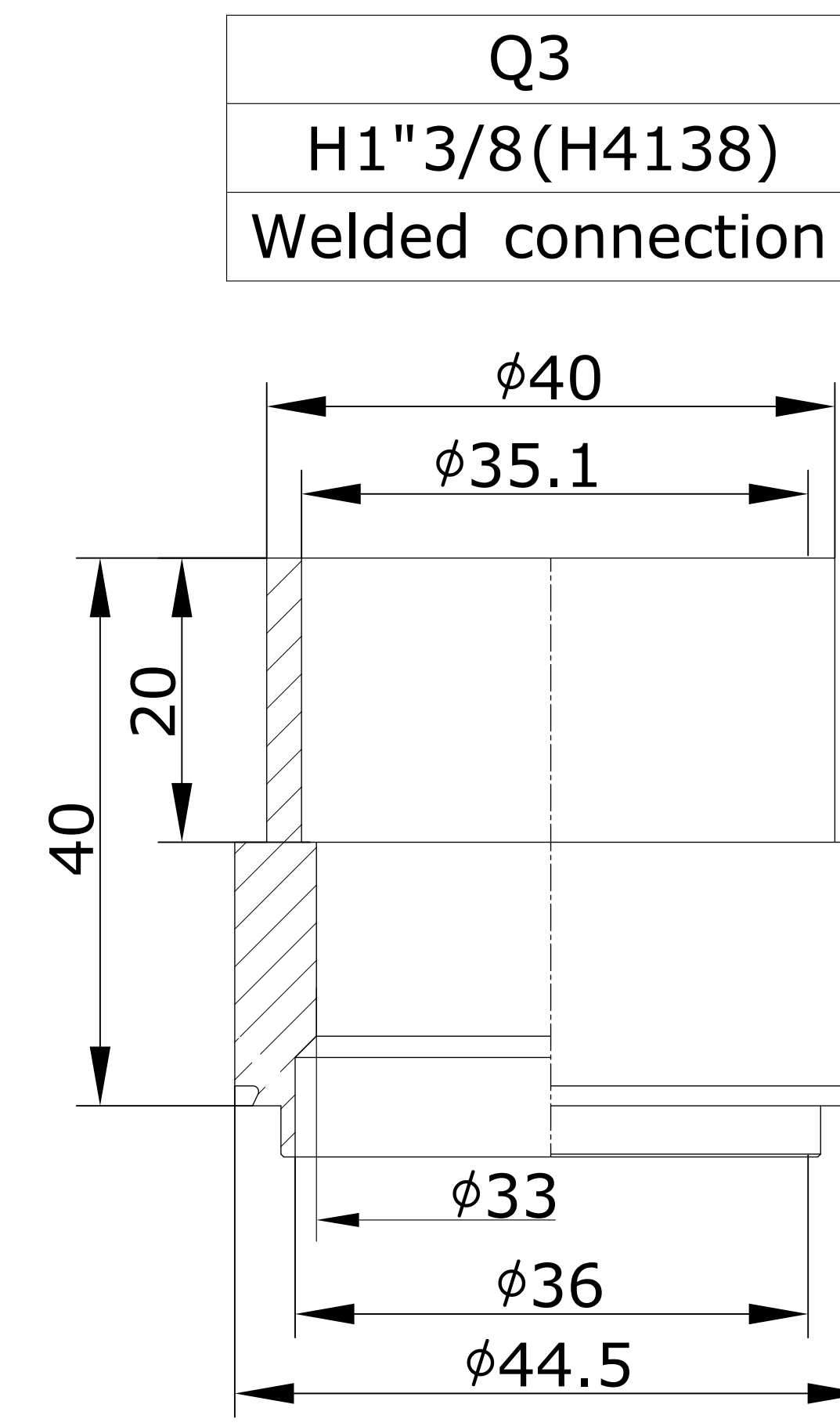
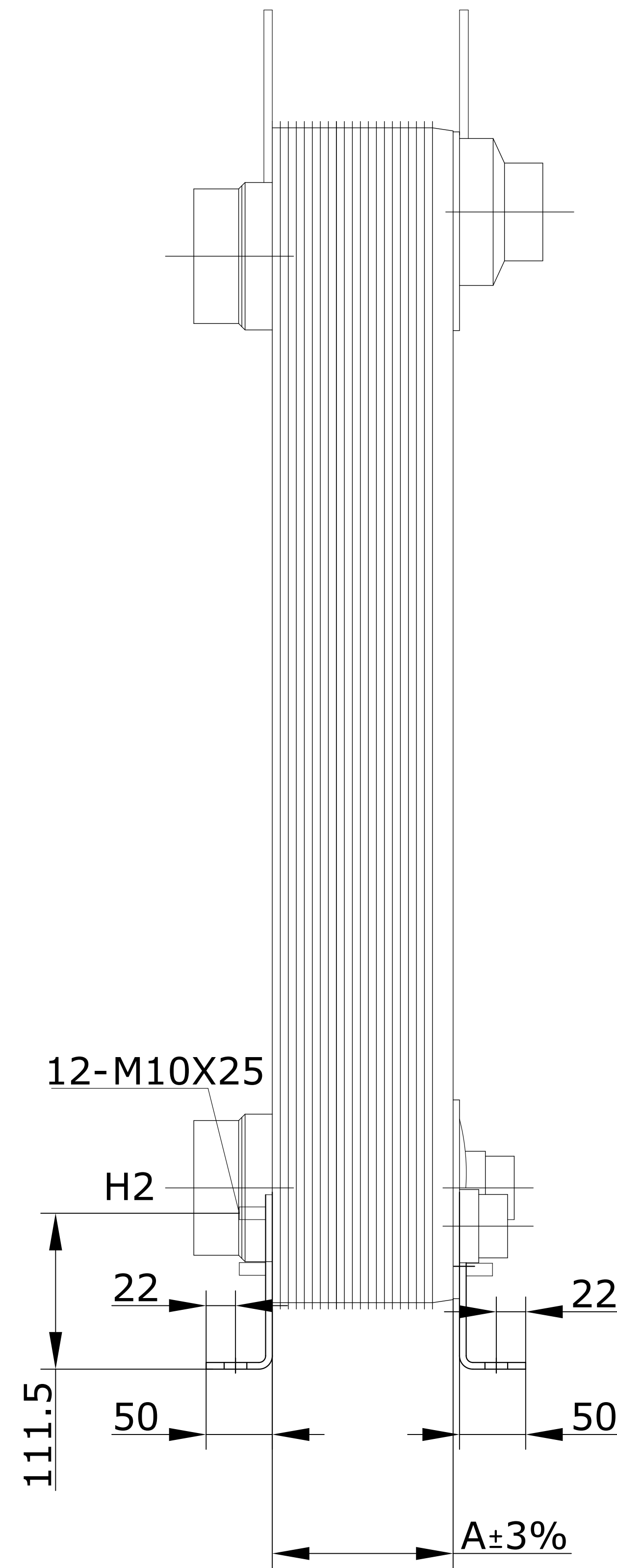
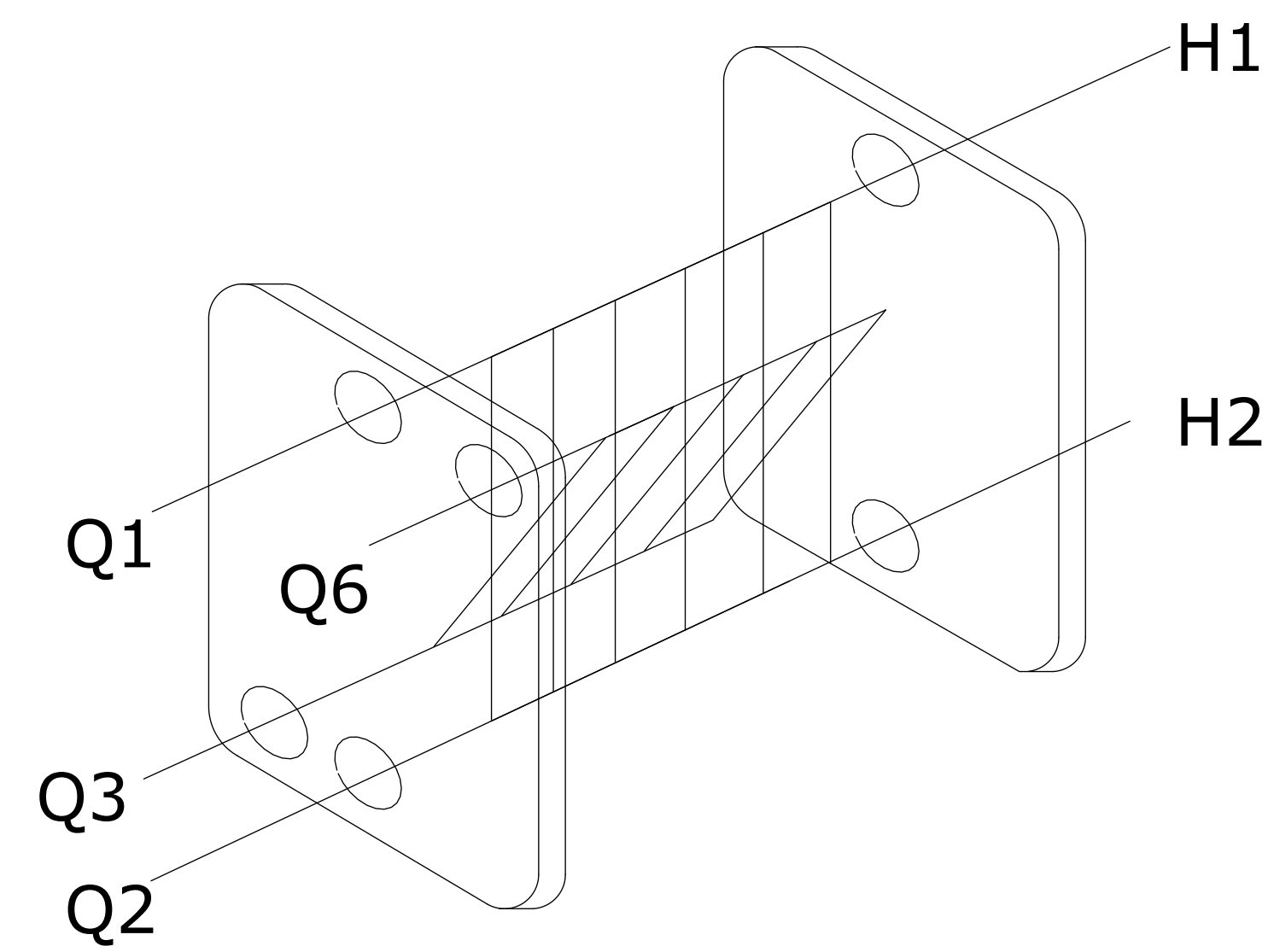
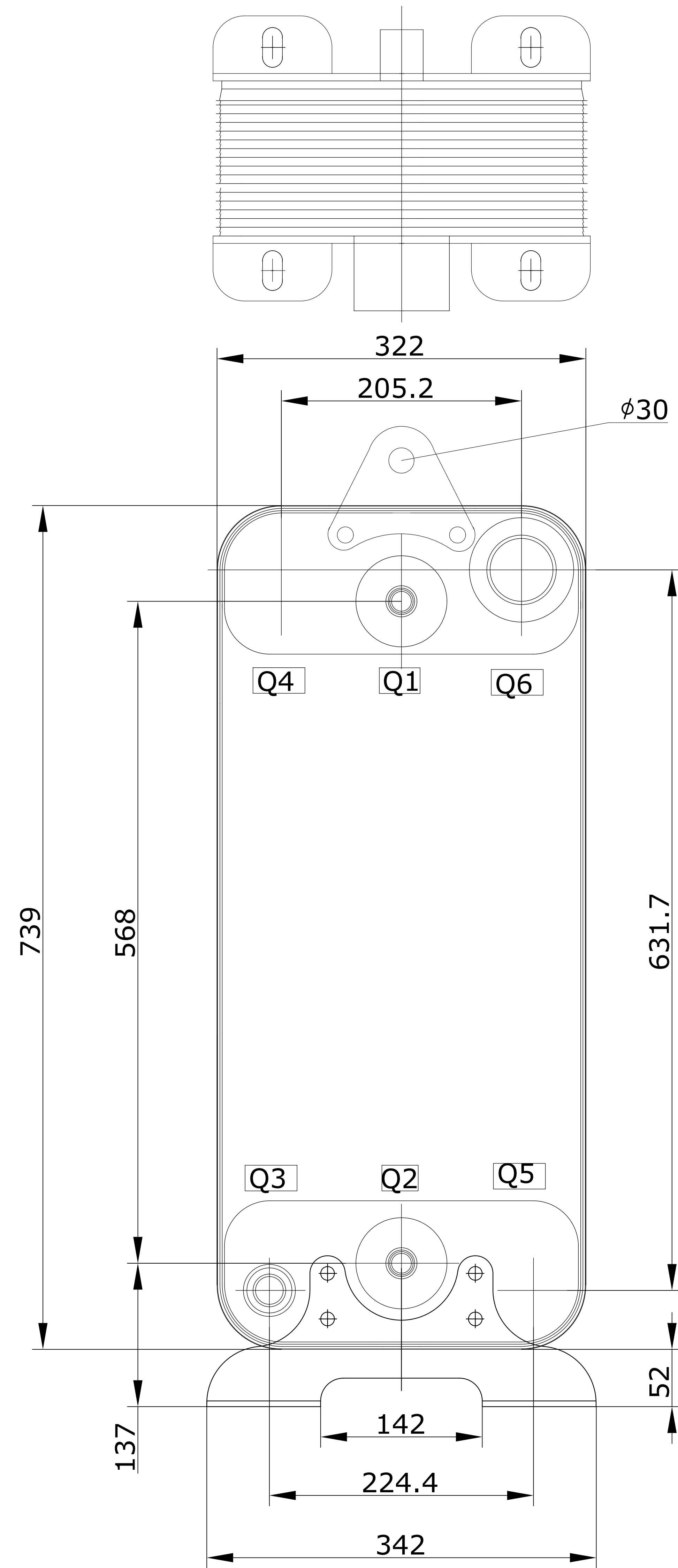


CONTROLLED



ID	RIDAN Code	Drawing No.	Model	Plates(n)	A	Weight	Volumn
1	111B0370R	23020346-01	210	158	420	129.348Kg	Q1Q2H1H2:39.5L/Q3Q6:39L
2	111B0371R	23020346-02	210	194	514	155.268Kg	Q1Q2H1H2:48.5L/Q3Q6:48L

		DESIGN DATA	
DESIGN PRESSURE		4.5MPa	
TEST PRESSURE		6.75MPa	
DESIGN TEMPERATURE		-196/+225	
LEAKAGE TEST		Helium Test	
PLATE MATERIAL		316L	
PIPE MATERIAL		304	
FRAME MATERIAL		304	
Assembly drawing	DEPARTMENT	Sales Department	DATE
	DESIGNER	JLN	2024/10/17
	INSPECTOR	ZJF	
	APPROVAL		
		SCALE	
		DRAWING NO.	
		DESIGNATION: H1H2(H3"1/8)/Q3(H1"3/8)/Q6(H3"1/8)/12- M10*25	
		23020346	REV 1