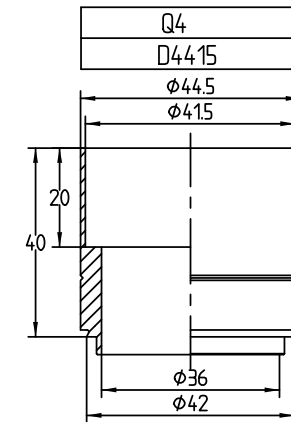
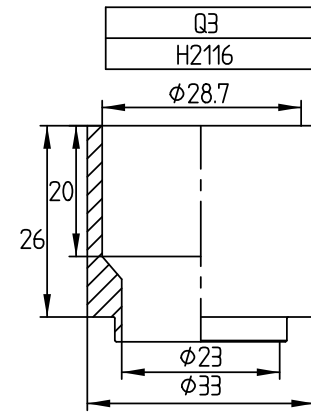
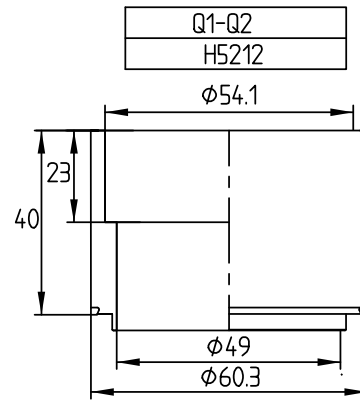
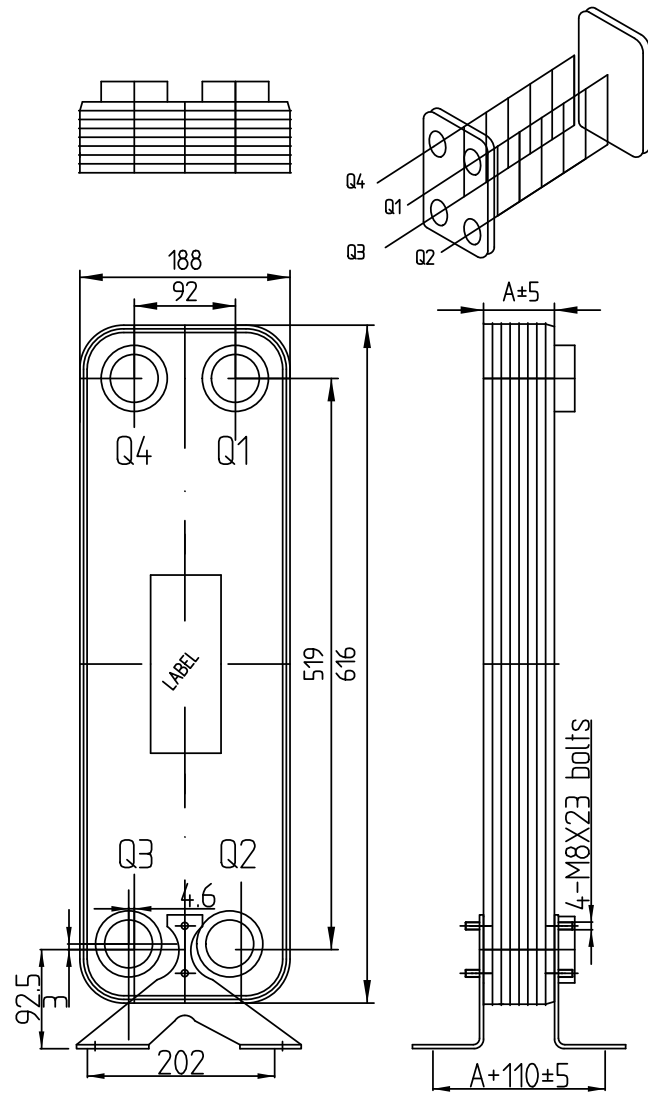


controlled



Note : with support feets

ID	RIDAN Code	Drawing No.	Model	Plates(n)	A	WEIGHT	VOLUME
1	021H9550R	2306683	095	50	56	26Kg	Q1Q2:5L/Q3Q4:4.8L

		DESIGN DATA	
DESIGN PRESSURE		3.0MPa	
TEST PRESSURE		4.5MPa	
DESIGN TEMPERATURE		-196/+225	
LEAKAGE TEST		Helium Test	
PLATE MATERIAL		316L	
PIPE MATERIAL		304	
FRAME MATERIAL		304	
Assembly drawing	DEPARTMENT Sales	DATE	SCALE
	DESIGNER JLN	2022/06/29	
	INSPECTOR ZJF	2022/06/29	
	APPROVAL FL	2022/06/29	DRAWING NO.
		DESIGNATION RD-095-50-30-HQ-Q1Q2(H2"1/8)/Q3(H1"1/8)Q4(H1"5/8)/4-M8*23	
		2306683	REV 0